

Seal Heated Bases

Key Features

- Type: Heated counter-top unit
- Thermostatic temperature control
- Height adjustable feet



HB2

Construction

- Body: stainless steel grade 430
- Hob top: aluminium

Available Options

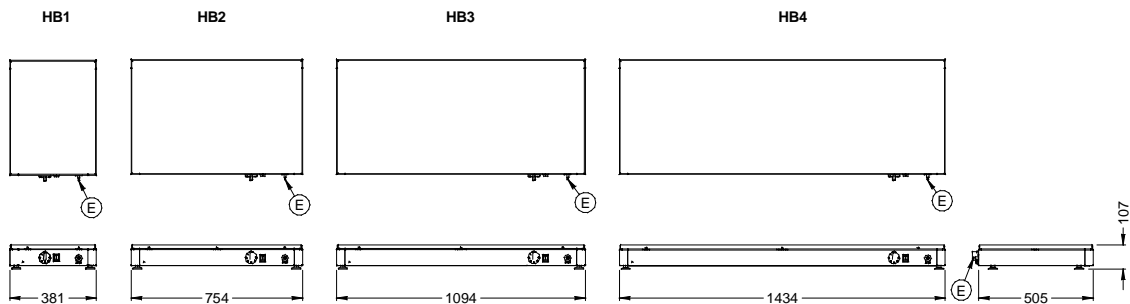
- Choice of four widths

Available Accessories

- Bains marie adaptors including 2/3 GN containers (65mm deep) and lids

Specifications

Model	HB1	HB2	HB3	HB4
External height (mm)	115	115	115	115
External width (mm)	381	754	1094	1434
External depth (mm)	531	531	531	531
Usable heated surface w x d (mm)	302 x 500	748 x 500	1088 x 500	1428 x 500
Net weight unpacked (kg)	7	11	15	19
Gross weight packed (kg)	10	14	18	23
Shipping volume (m ³)	0.145	0.13	0.179	0.232
Total electrical power rating (kW)	0.5	1.0	1.4	1.75
Electrical supply 1N~+E 230V 50-60Hz Current Rating (A)	2.2	4.3	6.1	7.6



**Lincat Limited, Whisby Road,
Lincoln LN6 3QZ,
United Kingdom**

UK Sales Tel: 01522 875500 UK Spares Tel: 01522 875510 UK General Tel: 01522 875555
 UK Fax: 01522 875530 International Sales Tel: +44 1522 503250 International Fax: +44 1522 875530
 Website: www.lincat.co.uk UK Sales e-mail: sales@lincat.co.uk International Sales e-mail: export@lincat.co.uk



Document ref: SEAL-HB
Issue date: Dec 09